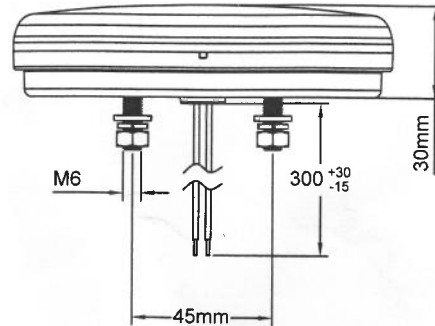
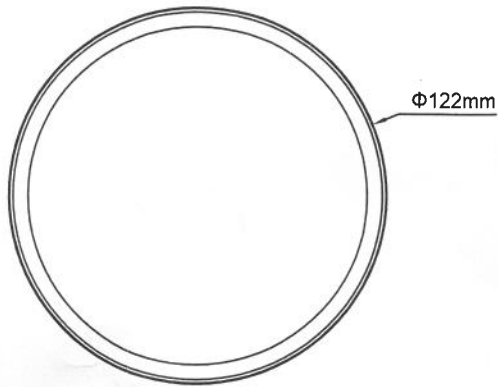


# 9708063 User Manual



## Technical Data:

Lamp size: 122x30mm

Spacing of assembly bolts: 45mm

Wires length: 300mm

Approval: ECE R6, R7

The products is intended for 12/24V installations.

## User manual:

- Use only as intended,
- Assemble only in specialized workshops,
- The connection between the lamp and vehicle's installation should be isolated with heat-shrink tube, or alternatively, with isolating tape, to avoid getting water and moisture to the copper wire of the lamp, which can damage electronic components.
- Do not cut off tinned ends.
- The package contains 1 pc of lamp.

## Connection:

Ground - black

Position - brown

Indicator - yellow

Stop - red

## Correct disposal of the product(used electrical and electronic equipment):

The marking on the product or in the related texts indicates that it should not be disposed of with other household waste at the end of its useful life. To avoid damaging the environment and human health by uncontrolled disposal, please separate the product from another type of waste and recycle it responsibly to promote the reuse of material resources as a permanent practice. For information on where and how to safely recycle this product, household users should contact the retailer where they purchased the product. Users in companies should contact their supplier and check the terms of the purchase agreement. The product should NOT be disposed of with